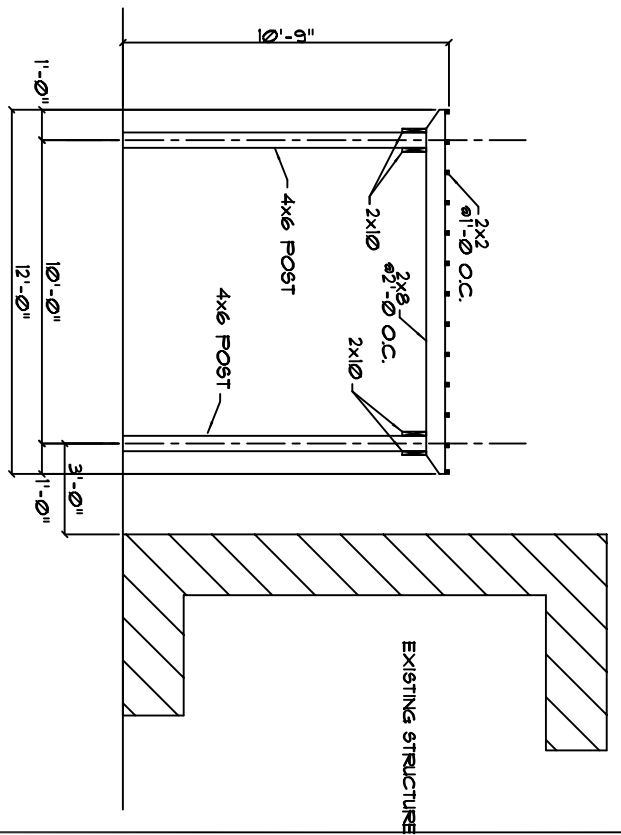
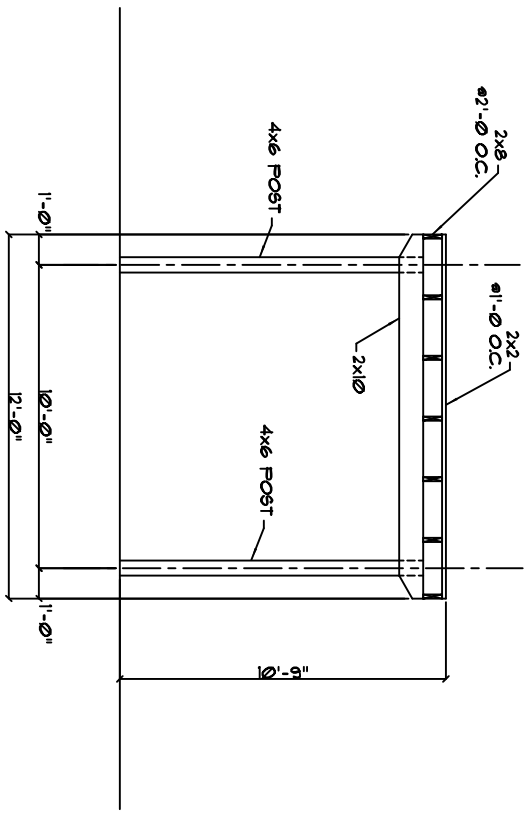


ROOF ELEVATION



SIDE ELEVATION



FRONT ELEVATION